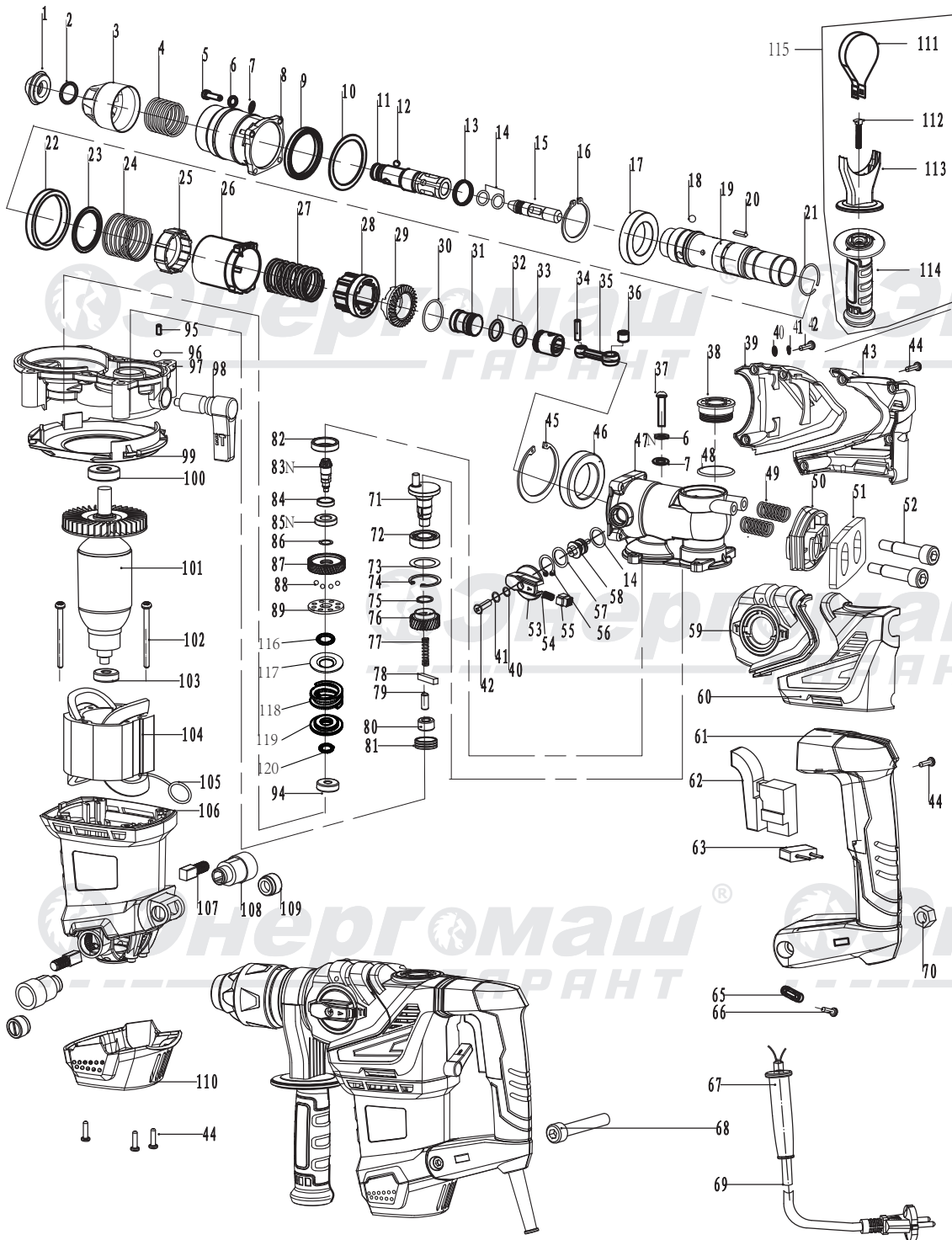


ПР1-1700



NO.	DESCRIPTION	NO.	DESCRIPTION
1	RUBBER HEAD	59	LEFT ALUMINIUM COVER
2	STEEL RING 17.5*2	60	LEFT PLASTIC COVER
3	STEEL FRAME	61	HANDLE
4	SPRING 30.2*1.8*76	62	SWITCH
5	SCREW	63	ELECTRIC CAPACITY
6	WASHER	65	CABLE BOARD
7	WASHER	66	SCREW
8	CYLINDER HOUSE	67	CABLE SHEATH
9	OIL SEAL 35*51*6	68	SCREW
10	WASHER 45*54.5*1	69	CABLE
11	TELEFLEX	70	NUT M8
12	BALL Ø7.14	71	ECCENTRIC SHAFT
13	X-RING 20.9*2.2*4	72	BEARING6003
14	O-RING 11*2	73	WASHER 34.5X28.5X1
15	IMPACT HAMMER	74	WASHER 35
16	WASHER	75	WASHER 17
17	BEARING 6907-RZ	76	GEAR
18	BALL Ø7.94	77	SPRING
19	CYLINDER	78	FLAT KEY
20	FLAT KEY 3X2.5X18	79	PIN
21	RING 28X1.6	80	BUSH
22	PLASTIC RING 47X55X7	81	STEEL SLEEVE 26X22X9
23	WASHER 38X47X1.5	82	OIL SEAL 35*51*6
24	SPRING 42×2×28	83N	GEAR SHAFT
25	PLASTIC SLEEVE	84	WASHER
26	CHISEL LOCK DISTANCE SLEEVE	85N	BEARING 16002
27	SPRING34*2.5*50	86	WASHER 14.1X19X0.5
28	CLUTCH	87	GEAR 39 TEETH
29	GAMP GEAR	88	BALL 5
30	O-RING 28*1.8	89	FIXED PLATE
31	RAMMER 25*30	94	BEARING627
32	O-RING 19*3.1	95	RUBBER COLUMN
33	PISTON	96	BALL 4
34	PISTON PIN 6*23.5	97	MIDDLE COVER
35	CONNECTING ROD	98	TWISTING FOR HAMMER
36	STEEL SLEEVE12*10*8	99	FAN GUIDE
37	SCREW	100	BEARING 6001Z
38	OIL COVER	101	ROTOR
39	RIGHT ALUMINIUM COVER	102	SCREW
40	WASHER 4	103	BEARING 608Z
41	FLAT WASHER 4	104	STATOR
42	SCREW M4*14	105	SPRING
43	RIGHT ALUMINIUM COVER	106	MOTOR HOUSING
44	SCREW ST3.9*16	107	BRUSH
45	WASHER 18	108	BRUSH HOLDER
46	BUSH 30X47X9	109	BRUSH COVER
47N	GEAR BOX	110	BACK COVER
48	O-RING 31.5X2	111	HOOP
49	ANTI-VIBRATION SPRING	112	T-SHAPE SCREW M8*50
50	ANTI-VIBRATION HOLDER	113	BRACKET
51	ANTI-VIBRATION BOARD	114	AUXILIARY HANDLE
52	ANTI-VIBRATION SCREW M8*15	115	AUXILIARY HANDLE ASS
53	TWO FUNCTION SWITCH	116	CIRCLIP 12.5X1
54	SPRING 0.6*4.5*17.5	117	DOWN CLUTCH BOARD
55	BUTTON PIN	118	CLUTCH BIG SPRING
56	WASHER 18	119	SPRING SEAT
57	WASHER	120	CIRCLIP 8.5X1.2
58	DIAL TWIST		